

It is never too early to plan ahead... **New Year's Eve Transit Service:**

This New Year's Eve, remember to take Brantford Transit and arrive safely to and from your party destination. Brantford Transit has been providing this service to the community for a number of years and usually accommodates between 500 to 1000 passengers throughout the evening.

Remember that the consequences for impaired driving are more severe for anyone who is pulled over and blows 0.05 or over, and **new legislation requires zero alcohol consumption for drivers under the age of 21.** Make your decision before you go out on New Year's Eve and **DON'T DRINK AND DRIVE!**

Free Transit on New Year's Eve

6:30pm - 2:00am

519-753-3847 brantford.ca/transit



Make it your New Year's Resolution to leave your car at home, and start using Brantford Transit when you can!



Regular Transit Service: until 6:30 pm
Extended FREE Transit Service: 6:30 pm - 2:00 am!

Sponsored by: Laurier Brantford, Mohawk College Brantford, Brant County Health Unit, Brantford Police, Cowan Insurance Group, RBC Royal Bank, the Brant-Brantford Drinking and Driving Committee, and the City of Brantford Environmental Services

December Transit Holiday Service:

December 24th, Christmas Eve Day:	Regular Service until 6:30pm
December 25th, Christmas Day:	No Service
December 26th, Boxing Day:	Holiday Service, 9:30am - 6:00pm
New Year's Eve Day/Night Service:	See information provided above

8th Annual ATU Local Transit Union Toy Drive for Christmas Baskets

November 12 - December 10, 2010

For the 8th consecutive year, the local Transit Union would like to invite the public to take part in its annual Toy Drive for Christmas Baskets.

Toys can be dropped off at the downtown transit terminal (64 Darling St.) or on the buses! Some toy drive tips:

- * New, unwrapped toys only please - no used stuffed animals.
- * Toys for all age groups are gratefully accepted; toys for ages 11-14 are always in high demand.

We thank our riders for their generous support over the past 7 years, and hope we can count on that support again this year!

Sincerely,

Phil

Phil Hotte
ATU Local 685 Transit Operators' Union - President



3rd Annual Paul Clarkson Christmas Lights Tour

**Wednesday, December 15, 2010
FREE!**

Tickets available at the transit terminal up to and on the day of the tour; seating is limited.
Non-perishable food donation required. Food donations are being collected for the Salvation Army.

Arrive at the transit terminal at 6:30 pm on Dec. 15; buses depart at 7:00 pm.

Transit Open House

Brantford Transit will be holding an Open House on Monday, November 29, 2010. Come out and hear about the latest expansion to transit service in West Brant, and the plans Brantford Transit has for service improvement for the coming year.

Transit staff will be on hand to answer questions and also to showcase our “Santa Bus” (one of Brantford Transit’s new hybrid electric buses that will be all dressed up for the holidays!). Everyone is welcome!

DATE: MONDAY, NOVEMBER 29, 2010

LOCATION: SALVATION ARMY CHURCH, 33 DIANA AVE. 

TIME: 7:00 PM – 9:00 PM

Preparing for the SN❄W

Just because we haven’t had any yet, doesn’t mean it isn’t coming! Please see below for information regarding snow management and Brantford Transit.

Emergency Bus Route Map

The Snow emergency Bus Route Map is available on our transit website:
www.brantford.ca/transit.

This map shows the routing that will be taken by Brantford Transit when a snow emergency is declared, or when transit management feels that road conditions warrant the use of transit snow routes. For example, the transit snow routes could be called into effect to give the City’s Public Works Department a chance to “catch-up” on clearing the roads, so that buses can safely make their way down roads.

Bus stop clearing reminder

Also as a reminder to our transit ridership, the completion of snow clearing at all bus stop locations will happen 24 hours after the completion of snow clearing on the roads. Snow clearing on the roads, as **Mandated by Council:** All streets plowed within 36 hours from completion of a snowfall. This conforms to the Provincial Minimum Standards.



Happy Holidays!

As 2010 comes to a close, Transit Management and staff would like to wish our transit ridership Happy Holidays and best wishes of a safe and happy new year!



“Santa Bus” is Coming to Town!

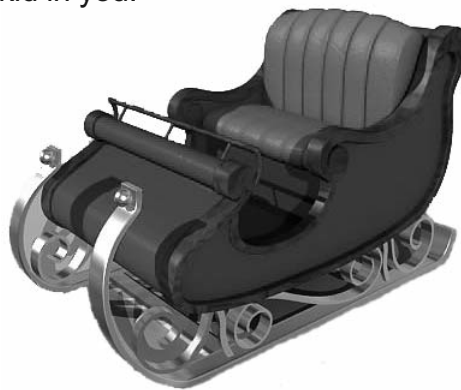
Brantford Transit’s float entry for the 2010 JCI Santa Claus Parade will be “Santa Bus”, a bus outfitted with a mural designed and installed compliments of Streetseen Media. Streetseen is a local Brantford firm that turns buses and other vehicles into travelling billboards by installing vehicle “wraps”.

For the Brantford Transit Santa Claus Parade entry, Streetseen will “wrap” one of the new hybrid electric buses in a Christmas-themed mural, which will remain on the bus until after the holidays.

Chris Ottmann of Streetseen Media said, “The partnership that we have with Brantford Transit is very unique, and we are very pleased to be able to work with the municipality. We

feel strongly about supporting the communities that we work in, and Santa Bus is one way that we can give back to the community.”

Be sure to look for Santa Bus in the parade on Saturday, November 27, at the Transit Open House on Monday, November 29, and travelling around the city in the weeks leading up to Christmas. It’ll bring out the kid in you!



BRANTFORD ACCESSIBILITY ADVISORY COMMITTEE

“The Brantford Accessibility Advisory Committee (BAAC) shall provide vision and direction towards the attainment of a universally accessible Brantford.”

The Committee meets the first Thursday of each month.

For further information please contact:

Jenny Sawicki, Coordinator
Municipal Accessibility Plan
TEL: 519-759-4150, x. 2266
e-mail: jsawicki@brantford.ca.

BRANTFORD TRANSIT 2011 HOLIDAY SCHEDULE

Brantford Transit Bus Terminal, 64 Darling St. / Phone: 519-753-3847 / www.brantford.ca/transit

MONTH	DATE	HOLIDAY	SERVICE
January:	Saturday, January 1	New Year’s Day	No Service
February:	Monday, February 21	Family Day	No Service
April:	Friday, April 22	Good Friday	No Service
	Saturday, April 23		Regular Saturday Service
	Sunday, April 24	Easter Sunday	No Service
	Monday, April 25	Easter Monday	Regular Week Day Service
May:	Monday, May 23	Victoria Day	No Service
July:	Friday, July 1	Canada Day	To Be Announced
August:	Monday, August 1	Civic Holiday	Sunday Schedule: 8:30am - 6:30pm
September:	Monday, September 5	Labour Day	No Service
October:	Monday, October 10	Thanksgiving	No Service
December:	Saturday, December 24	Christmas Eve	Regular Service until 6:30pm
	Sunday, December 25	Christmas Day	No Service
	Monday, December 26	Boxing Day	Sunday Schedule: 8:30am - 6:30pm
	Saturday, December 31	New Year’s Eve Day	Regular Service until 6:30pm
		New Year’s Eve Night	Regular Service until 2:00am

SERVICES FOR PERSONS WITH DISABILITIES

Operation Lift (Specialized Service):

519-756-2170

www.operationlift.com

INTER-CITY SERVICES (DOWNTOWN TERMINAL)

Grand River Cab (Paris, Brantford):

519-442-3334

Greyhound Canada (Toronto, Hamilton, London, Windsor, etc.):

519-756-5011